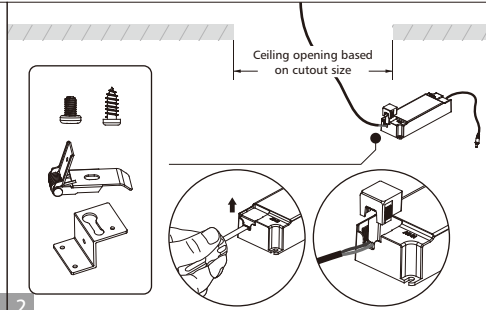


Recessed installation(2)

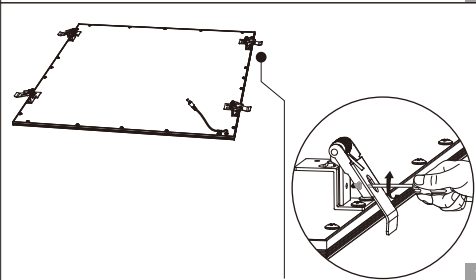
Cutout Size

Panel Size	Cutout
295x1195mm	270x1170mm
595x595mm	570x570mm
620x620mm	590x590mm

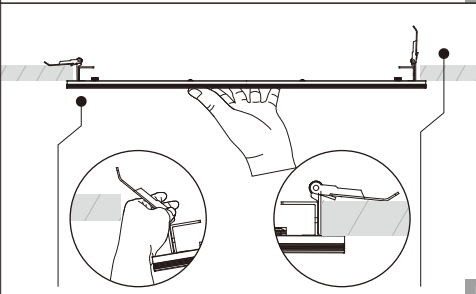
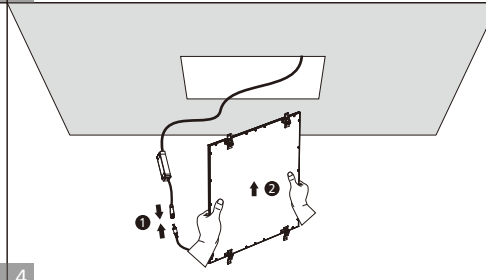
Clips should be purchased separately as an accessory



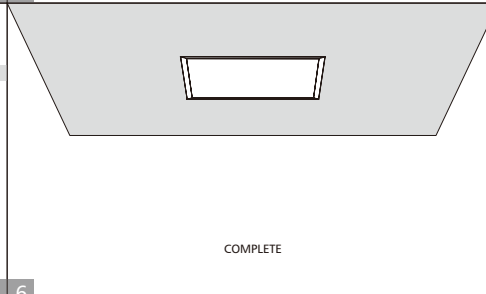
1 2



3 4

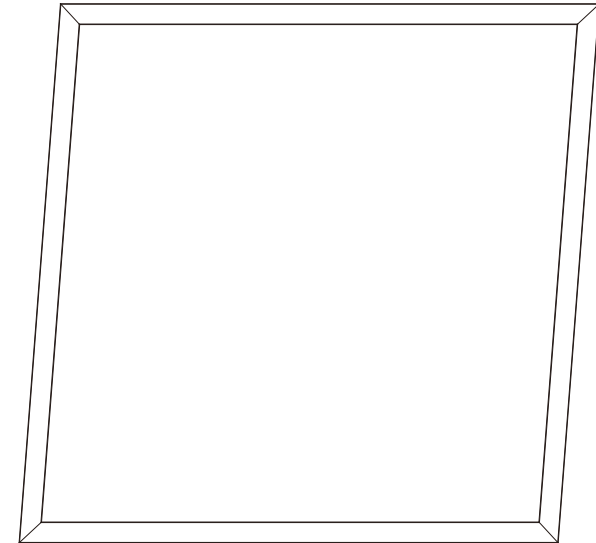


5 6



COMPLETE

LED PANEL LIGHT USER GUIDE



LED PANEL LIGHT USER GUIDE

Safety Instructions

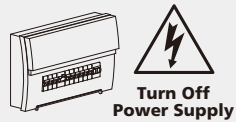
Basic safety precautions should always be followed when installing, including the following:

1. Read instructions carefully before installing.
2. This LED Panel requires professional installation and maintenance.
3. The power supply of the LED Panel should be powered by a dedicated external LED driver.
4. Disconnect the power supply before installing or maintenance.
5. Make sure the wires have been properly connected before powering on the device.
6. Ensure the product has enough space for heat dissipation.
7. Ensure the luminaries are never covered by any heat insulation mat or slim layer material at anytime.
8. Dimmable version could be compatible with a wide range of Triac/0-10V/DALI dimmers.
9. IP40 for indoor use only, not for damp location; IP54 for indoor damp location; IP65 waterproof for both indoor and outdoor applications.
10. Ambient Temperature: -10°C to + 45°C, Avoid direct sunlight.
11. Storage Conditions: Cool & dry conditions.

Installation Procedure

WARNING

1. Switch off before installation.
2. Switch on only after complete installation and examination of the circuit.



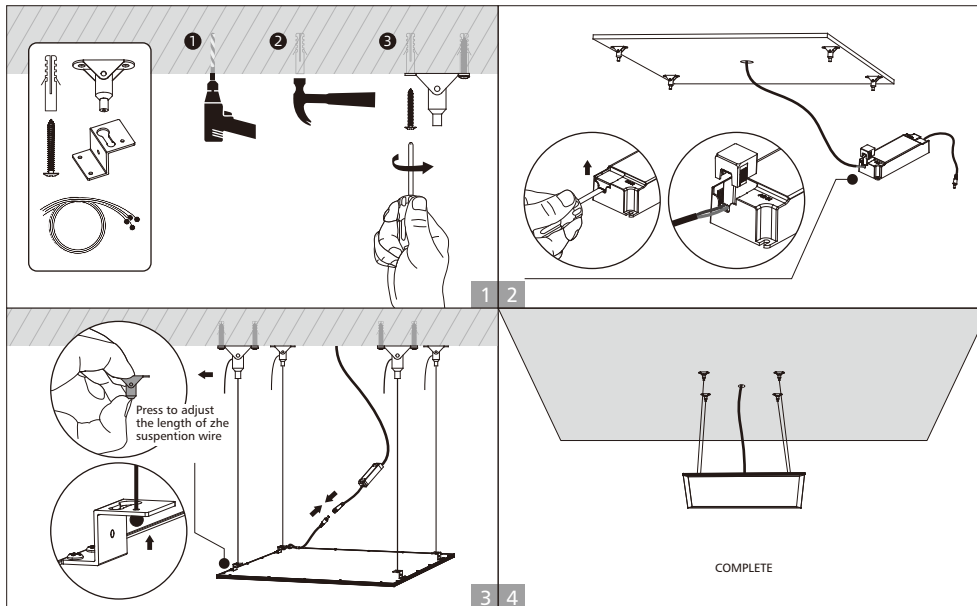
CAUTION

Make sure that the mounting surface or structural member used for installation can support the weight of LED Panel.

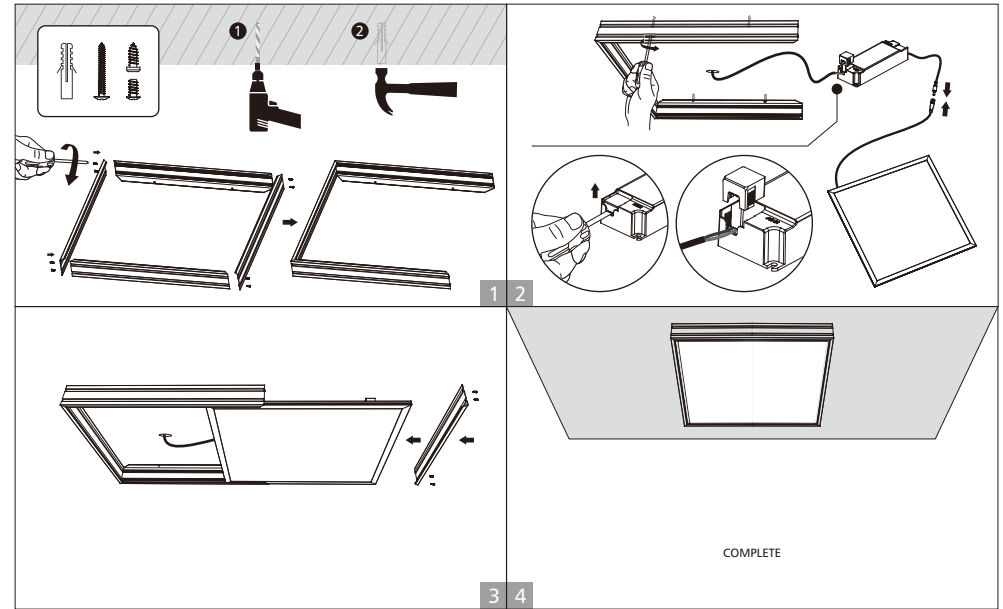
For color changeable model (controlled by Slide Switch in lamp), please select light color before installation, see below picture. choose color by slide switch with corresponding color temperature.



Suspended installation



Surface mounted installation



Recessed installation(1)

